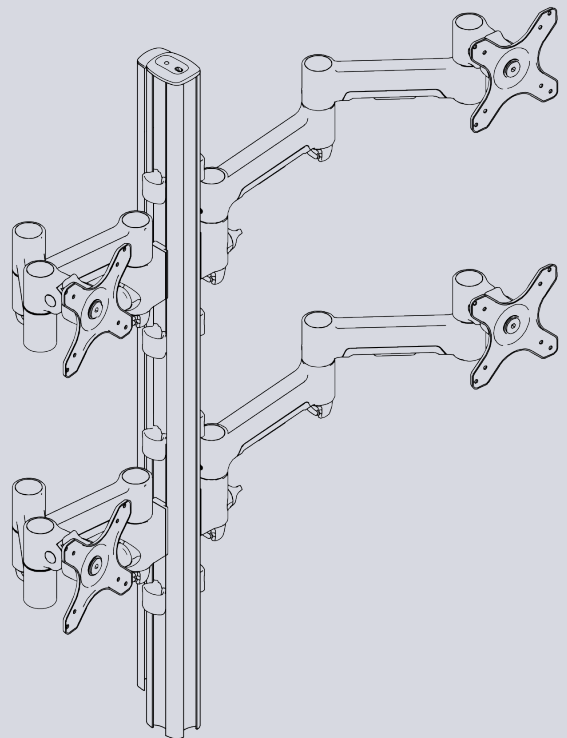




Atdec Modular Specification Sheet.





Interactive modular
desk mounting
solutions for displays
of all kinds.

Atdec modular collection offers customisable display heights, viewing angles and orientation to ensure a relaxed workstation experience.

Focusing on individual requirements the modular collection can offer a bespoke, ergonomically-considered screen setup that ensures a comfortable and productive day.

Product specifications.

An Aspect product.
Designed by Atdec.

Finishes Silver, black or white

Materials Aluminium

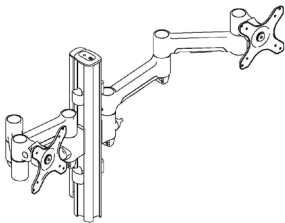
Variations Modular dual, Modular dual vertical stack, Modular quad, Modular dynamic, Modular desk mount, Modular dual crossbar

Warranty 10 Years

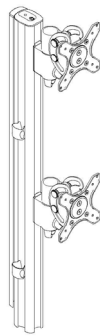
Lead time In stock (Check availability)

Modular collection.

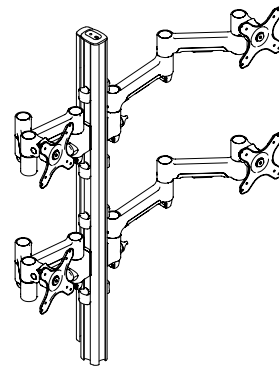
Modular dual arm



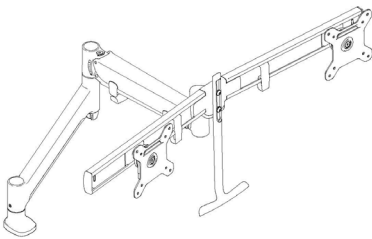
Modular dual vertical stack



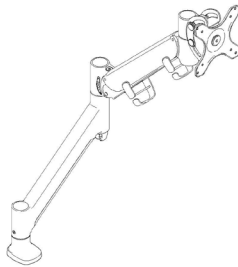
Modular quad



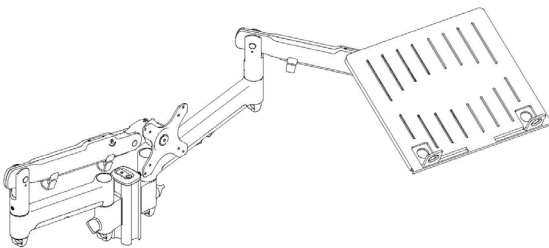
Modular crossbar



Modular desk mount

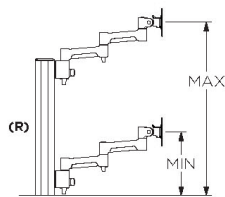
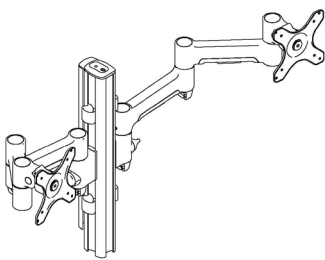


Modular dynamic

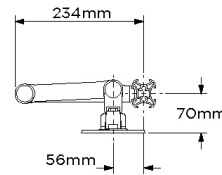


Product specifications.

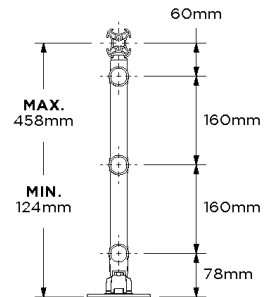
Modular dual arm



460 arm on 400 post
Height range
233 - 551mm. C-clamp
increases minimum
height on post by 26mm

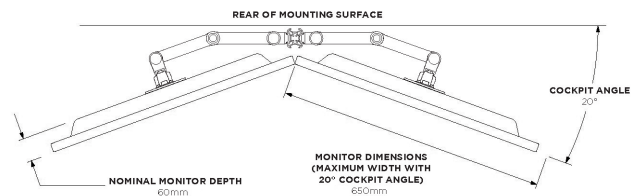
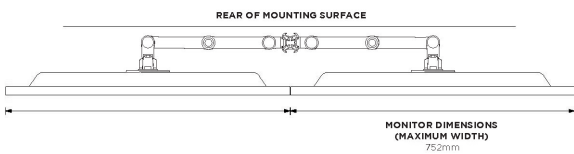


460 arm on post
Post side attachment
shown at minimum
extension

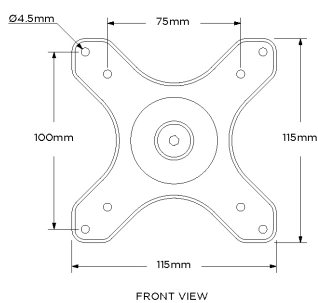


Post front attachment

Monitor size

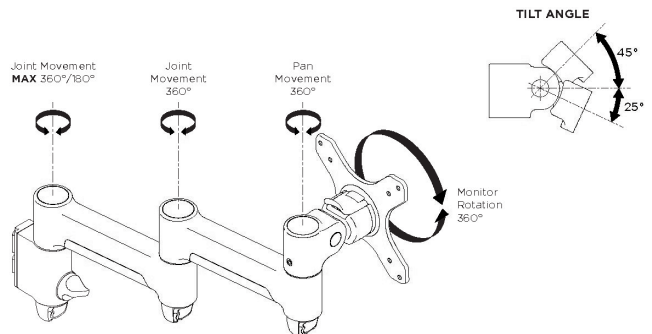


Display mounting



VESA mounting: 75x75, 100x100

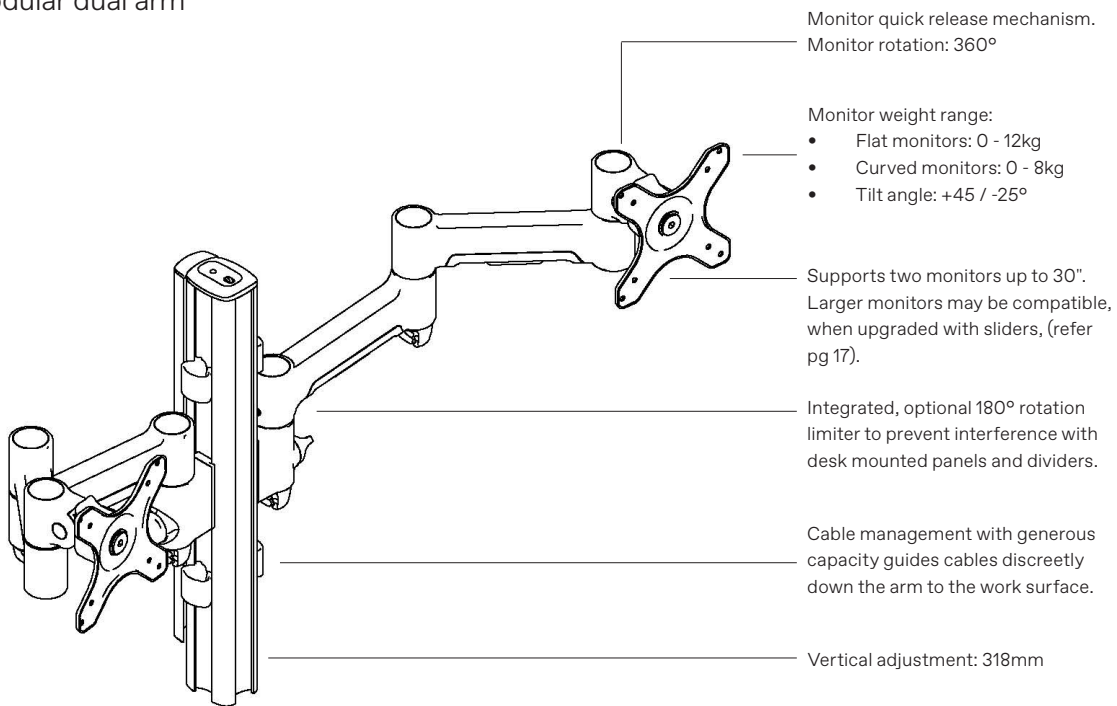
Movement



460 arm

Product features.

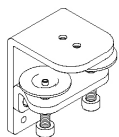
Modular dual arm



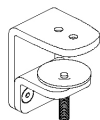
Note: Monitor weight should be within the weight range of all modular elements that make up the complete monitor mounting solution.
* Curved monitors, deep devices (such as all-in-one PCs) and offset VESA locations exert additional leverage that can exceed the capacity of the mount even though the monitor weight may be within the stated range. Please contact Aspect if you would like further information.

Desk fixing options

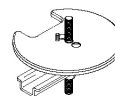
Refer page 17 - 18 for technical details



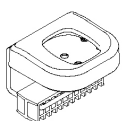
Heavy duty F-clamp



F-clamp



Grommet clamp



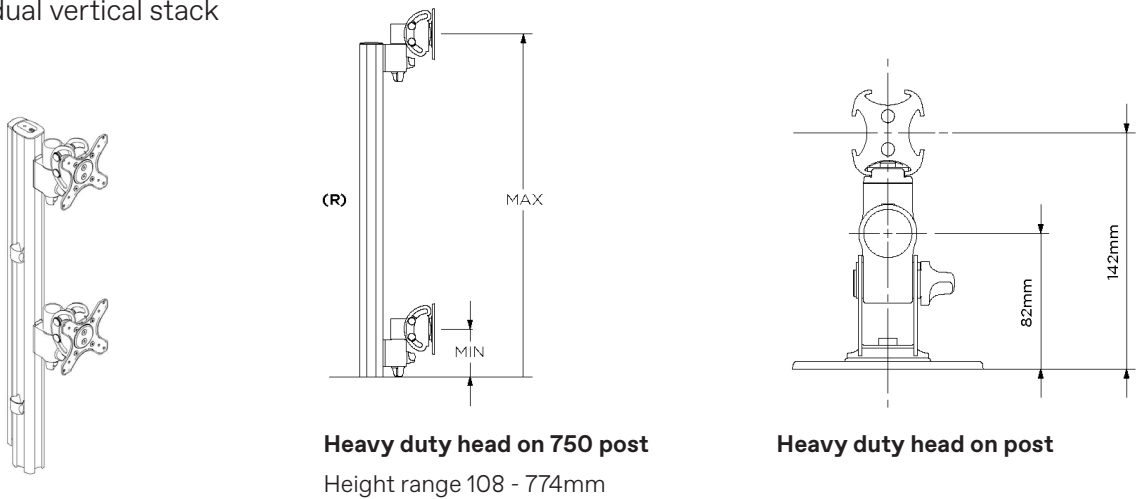
C-clamp



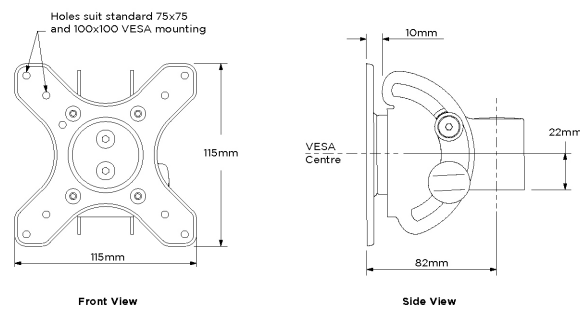
Bolt-through clamp

Product specifications.

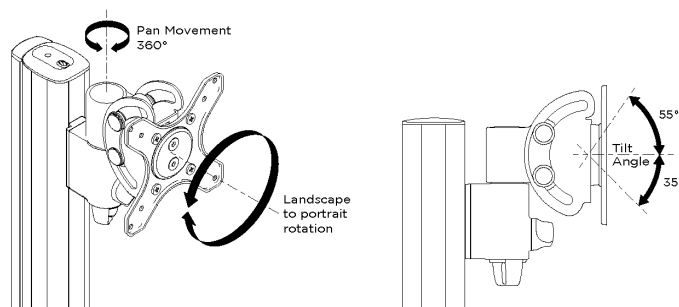
Modular dual vertical stack



Display mounting



Movement



Product features.

Modular dual vertical stack

Adjustable landscape / portrait orientation rotation, lockable for safety during installation.

Toolless display position and viewing angle control via tilt / pan / height.

100% recyclable material

Supports two flat or curved displays up to 49" (21:9 aspect ratio) or one flat screen display up to 43" (16:9 aspect ratio).

Monitor weight range (per monitor):

- Flat monitors: 0 - 18kg
- Curved monitors: 0 - 12kg

Cable management with generous capacity guides cables discreetly down the arm to the work surface.

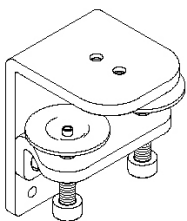
VESA mounting: 75x75, 100x100
Tilt adjustment: +55° / -35°
Pan adjustment: +90° / -90°

*Upgradable - additional arms from the modular range can be added

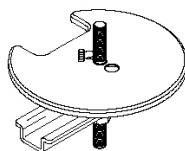
Note: Monitor weight should be within the weight range of all modular elements that make up the complete monitor mounting solution.
* Curved monitors, deep devices (such as all-in-one PCs) and offset VESA locations exert additional leverage that can exceed the capacity of the mount even though the monitor weight may be within the stated range. Please contact Aspect if you would like further information.

Desk fixing options + Accessories

Refer page 17 - 18 for technical details



Heavy duty F-clamp



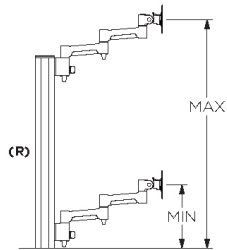
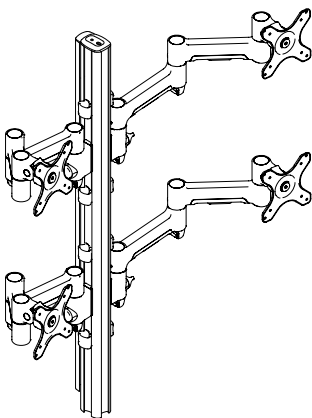
Grommet clamp



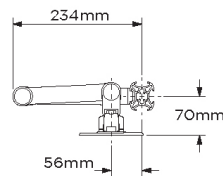
AC-MP mini PC mount plate

Product specifications.

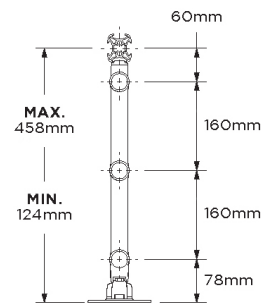
Modular quad



460 Arm on 750 post
Height range
233 - 901mm.

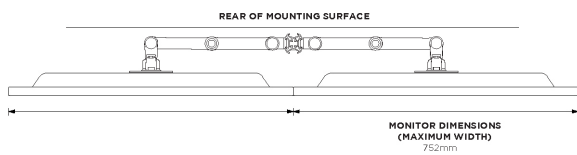


460 arm on post
Post side attachment

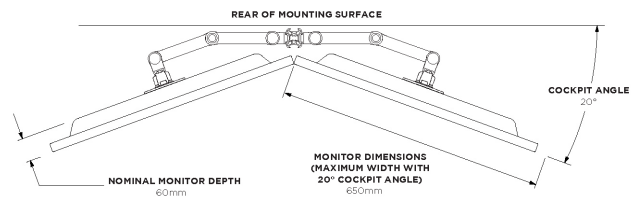


Post front attachment

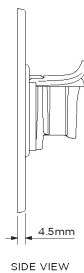
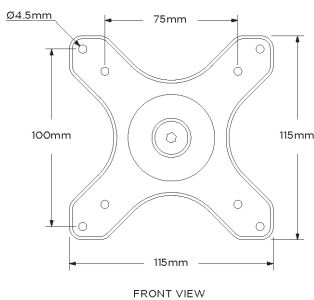
Monitor size



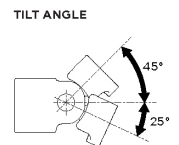
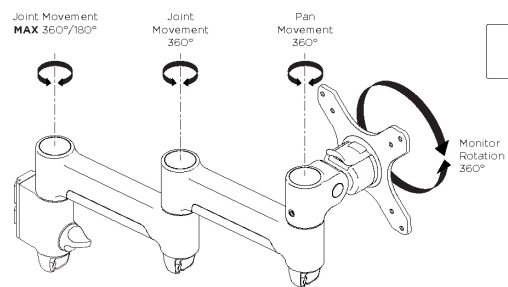
Heavy duty head on 750 post



Display mounting



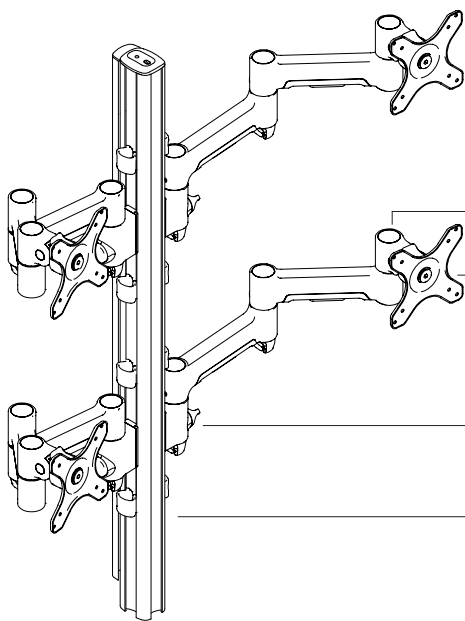
Movement



460 arm

Product features.

Modular quad



Supports four monitors up to 30". Larger monitors may be compatible, refer to monitor sizing page X.

Monitor weight range:

- Flat monitor: 0 - 12kg
- Curved monitor: 0 - 8kg

Tilt angle: +45° / -25°

Monitor rotation: 360°

Monitor quick release mechanism.

Larger screens compatible when upgraded with sliders. Refer to modular accessories below.

VESA mounting: 75x75, 100x100

Integrated, optional 180° rotation limiter to prevent interference with desk mounted panels and dividers.

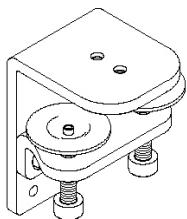
Cable management with generous capacity guides cables discreetly down the arm to the work surface.

Note: Monitor weight should be within the weight range of all modular elements that make up the complete monitor mounting solution.

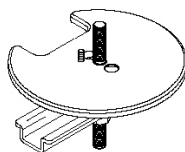
* Curved monitors, deep devices (such as all-in-one PCs) and offset VESA locations exert additional leverage that can exceed the capacity of the mount even though the monitor weight may be within the stated range. Please contact Aspect if you would like further information.

Desk fixing options + Accessories

Refer page 17 - 18 for technical details



Heavy duty F-clamp



Grommet clamp



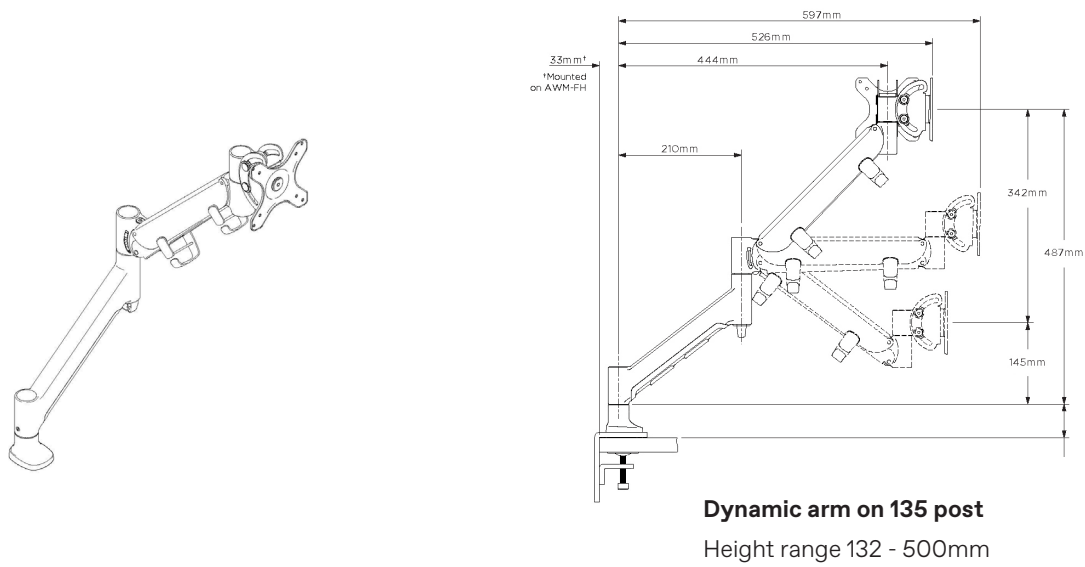
Slider accessory



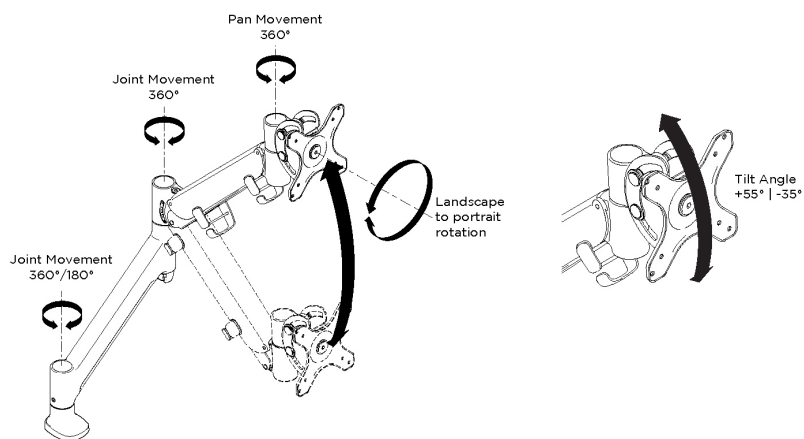
Mini PC mounting plate

Product specifications.

Modular desk mount



Movement



Product features.

Modular desk mount

Monitor weight range:

- Flat monitor: 6 - 16kg
- Curved monitor: 6 - 12kg

Horizontal adjustment: 444mm
 Vertical adjustment: 342mm
 Tilt angle: 55° upward / 35° down
 Monitor rotation: 360°
 VESA mounting: 75x75, 100x100

Tension gauge makes installation of multiple arms faster.

Counterbalanced vertical movement for larger, heavier monitors.

Cable management with generous capacity guides cables discreetly down the arm to the work surface.

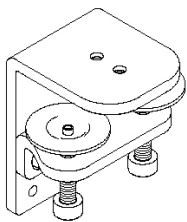
Ideal for heavy / large displays and curved monitors. Balanced tilt mechanism for larger and heavier monitors. Also features tool free adjustment.

Arm rotation stopper. Built-in 180° rotation stopper to prevent interference with walls or desk partitions

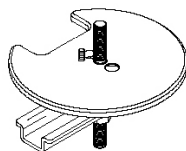
Note: Monitor weight should be within the weight range of all modular elements that make up the complete monitor mounting solution.
 * Curved monitors, deep devices (such as all-in-one PCs) and offset VESA locations exert additional leverage that can exceed the capacity of the mount even though the monitor weight may be within the stated range. Please contact Aspect if you would like further information.

Desk fixing options

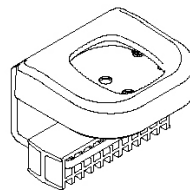
Refer page 17 - 18 for technical details



Heavy duty F-clamp



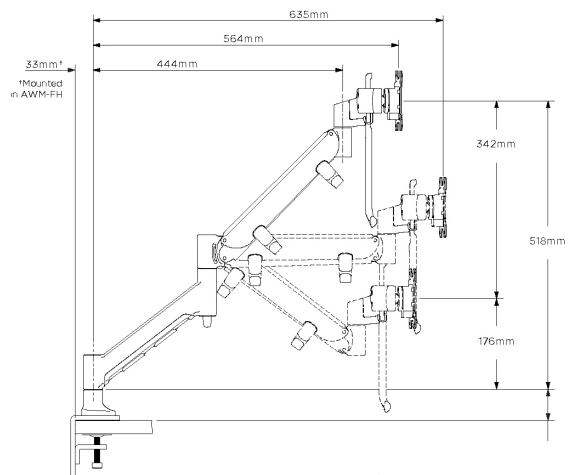
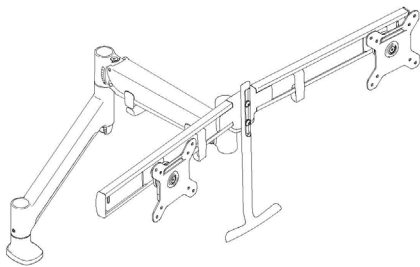
Grommet clamp



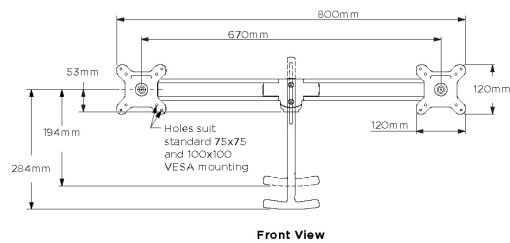
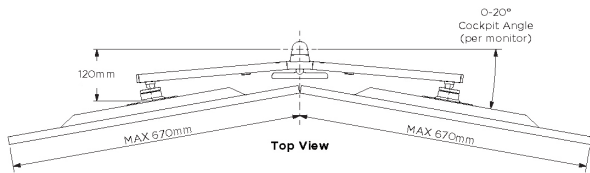
C-clamp

Product specifications.

Modular crossbar

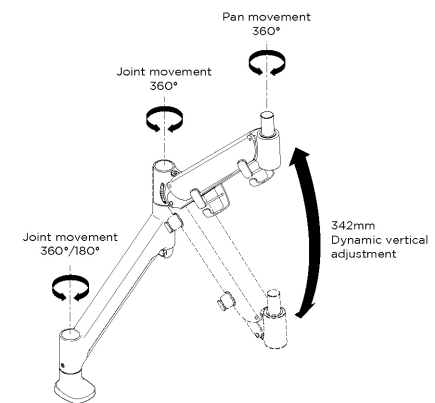
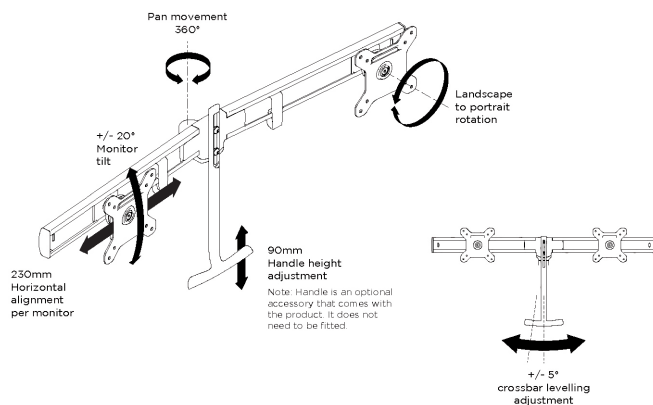


Dynamic arm on 135 post
Height range 132 - 500mm



Dual crossbar

Movement

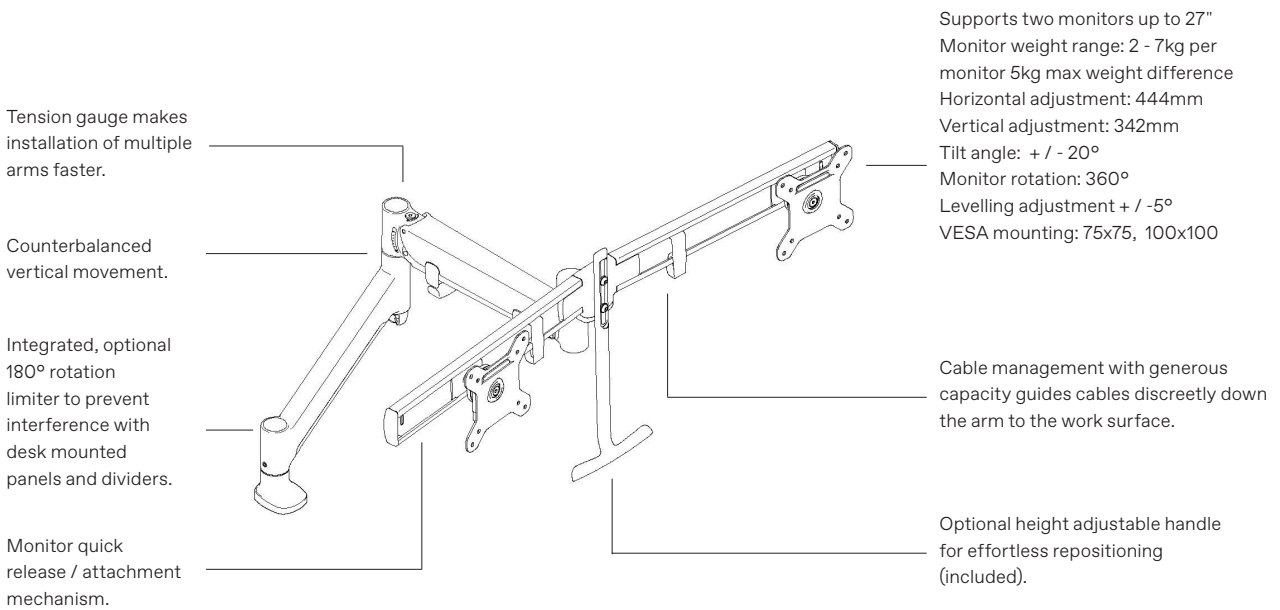


Dual crossbar

Heavy duty dynamic arm

Product features.

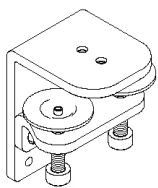
Modular crossbar



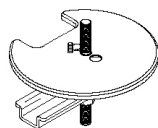
Note: Monitor weight should be within the weight range of all modular elements that make up the complete monitor mounting solution.
 * Curved monitors, deep devices (such as all-in-one PCs) and offset VESA locations exert additional leverage that can exceed the capacity of the mount even though the monitor weight may be within the stated range. Please contact Aspect if you would like further information.

Desk fixing options

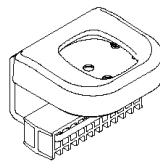
Refer page 17 - 18 for technical details



Heavy duty F-clamp



Grommet clamp



C-clamp



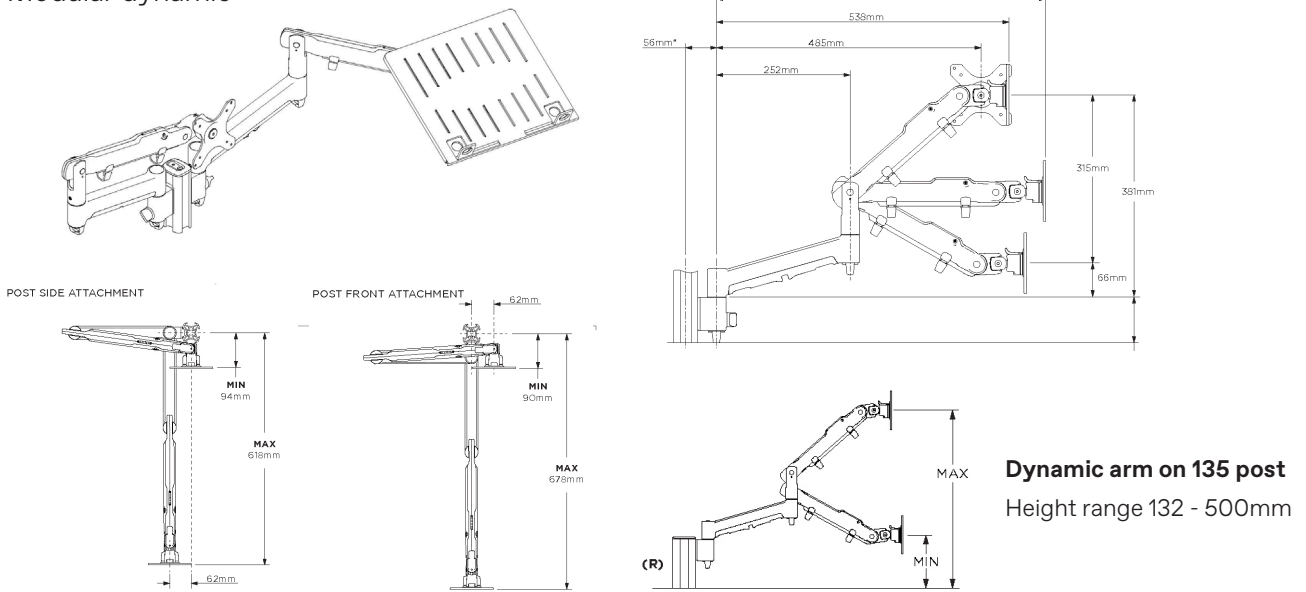
Heavy duty VESA head



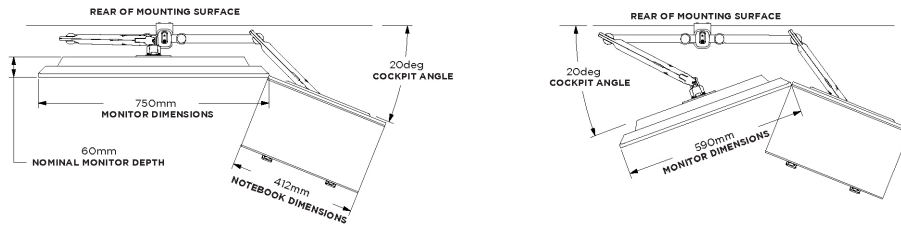
Channel clamp

Product specifications.

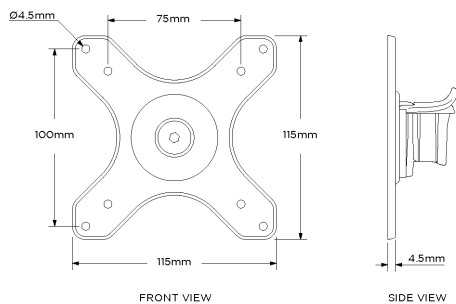
Modular dynamic



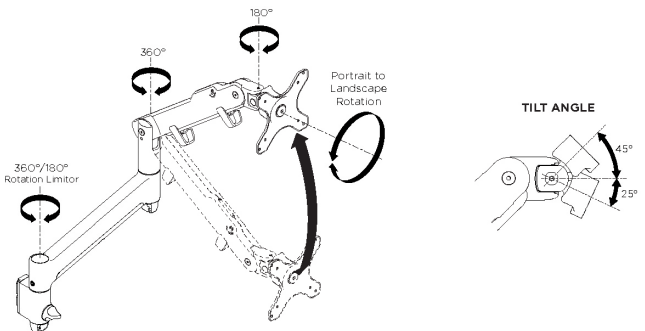
Plan view



Display mounting



Movement



Product features.

Modular dynamic

Easy to install and re-configure with monitor quick release / attachment mechanism.

A notebook and dynamic arm combination, ideal for activity based workplaces.

Monitor weight range:

- Flat monitor: 0 - 9kg
- Curved monitor: 0 - 6kg

Notebook weight range: 0 - 8kg
 Vertical adjustment: 368mm
 Tilt angle: +45° / -25°
 Monitor rotation: 360°
 VESA mounting 75x75, 100x100

Generous cable management guides cables discreetly down the arm to the work surface.

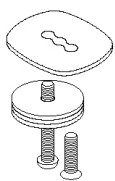
Integrated 180° rotation limiter to prevent interference with desk mounted panels and dividers.

Note: Monitor weight should be within the weight range of all modular elements that make up the complete monitor mounting solution.

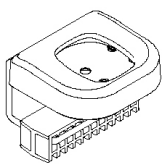
* Curved monitors, deep devices (such as all-in-one PCs) and offset VESA locations exert additional leverage that can exceed the capacity of the mount even though the monitor weight may be within the stated range. Please contact Aspect if you would like further information.

Desk fixing options

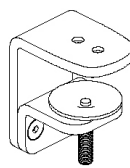
Refer page 17 - 18 for technical details



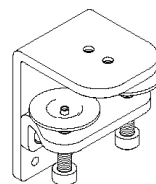
Bolt through



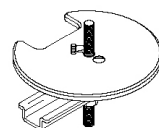
C-clamp



F-clamp



Heavy duty F-clamp



Grommet clamp

Accessories (sold separately)

Display mounting heads can be replaced with the notebook holder or tablet holder (sold separately). The modular slider accessory provides an additional range of horizontal display adjustment in multi-screen configurations to accommodate larger / wider monitors. Mini PCs can be attached to the post using the modular mounting plate. Universal tablet holder



Notebook holder



Slider accessory



Mini PC mounting plate



Universal tablet holder

Desk fixing (sold separately)



Bolt through

Offers flexible mounting position. Used when attachment to the edge of the desk is not possible. Suitable for desks up to 33mm.



Grommet clamp

Utilises an existing grommet hole or can be used as bolt through fixing. The plate provides extra stability for heavy loads. Fits grommet holes 60 - 80mm in diameter.



F-clamp

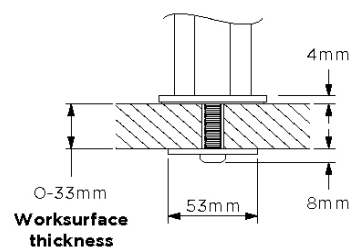
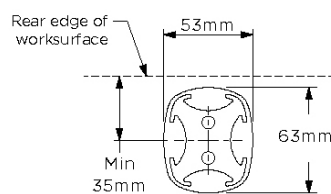
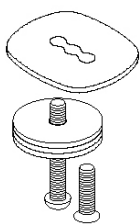
Traditional two-piece design that is used for retrofit and thicker desk surfaces up to 79mm.



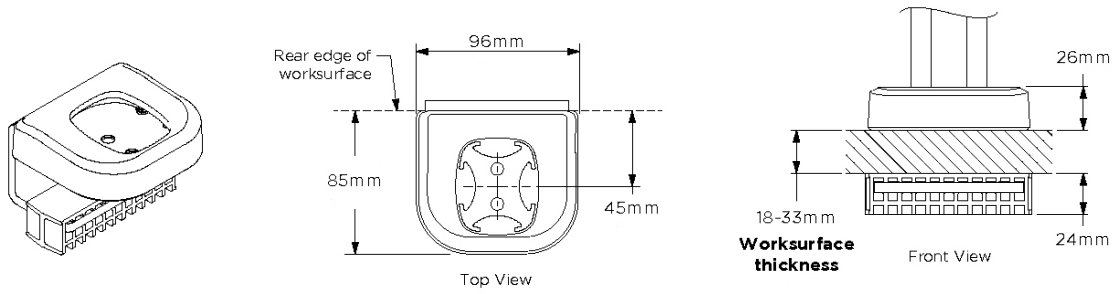
C-clamp

Suited to desks with potential to interfere with the elements under the desk such as cable cages. Suitable for desks up to 33mm.

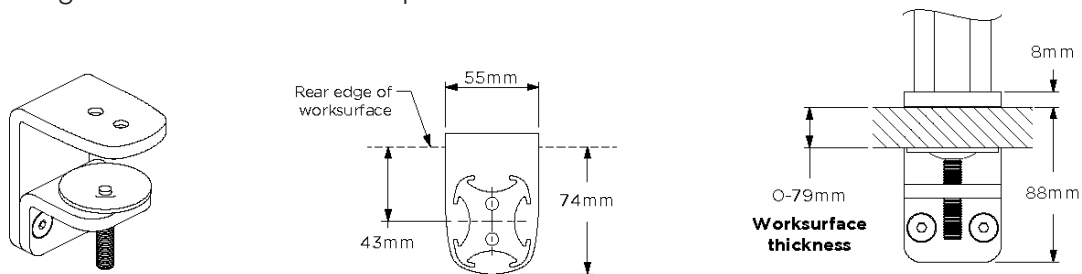
Desk fixing technical details - Bolt through



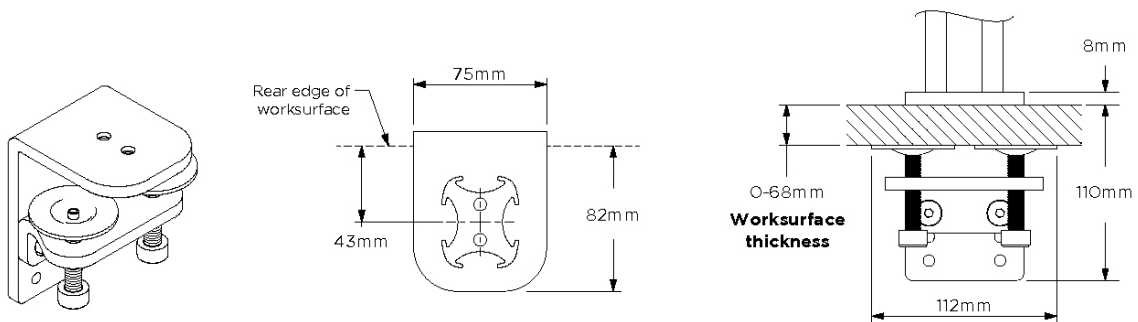
Desk fixing technical details - C-clamp



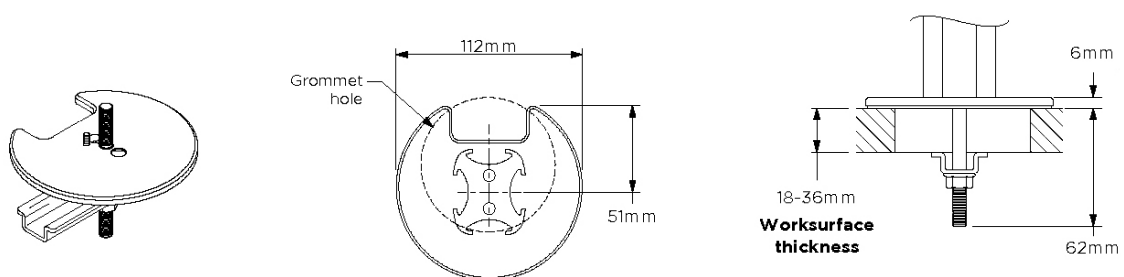
Desk fixing technical details - F-clamp



Desk fixing technical details - Heavy duty F-clamp



Desk fixing technical details - Grommet clamp





We are creative problem solvers that champion original thinking. We love sharing ideas, taking something and making it better together.

Please get in touch with us, we'd love to discuss your project.

Australia

1800 696 334

infoau@aspectfurniture.com

New Zealand

0800 323 220

info@aspectfurniture.com

aspectfurniture.com