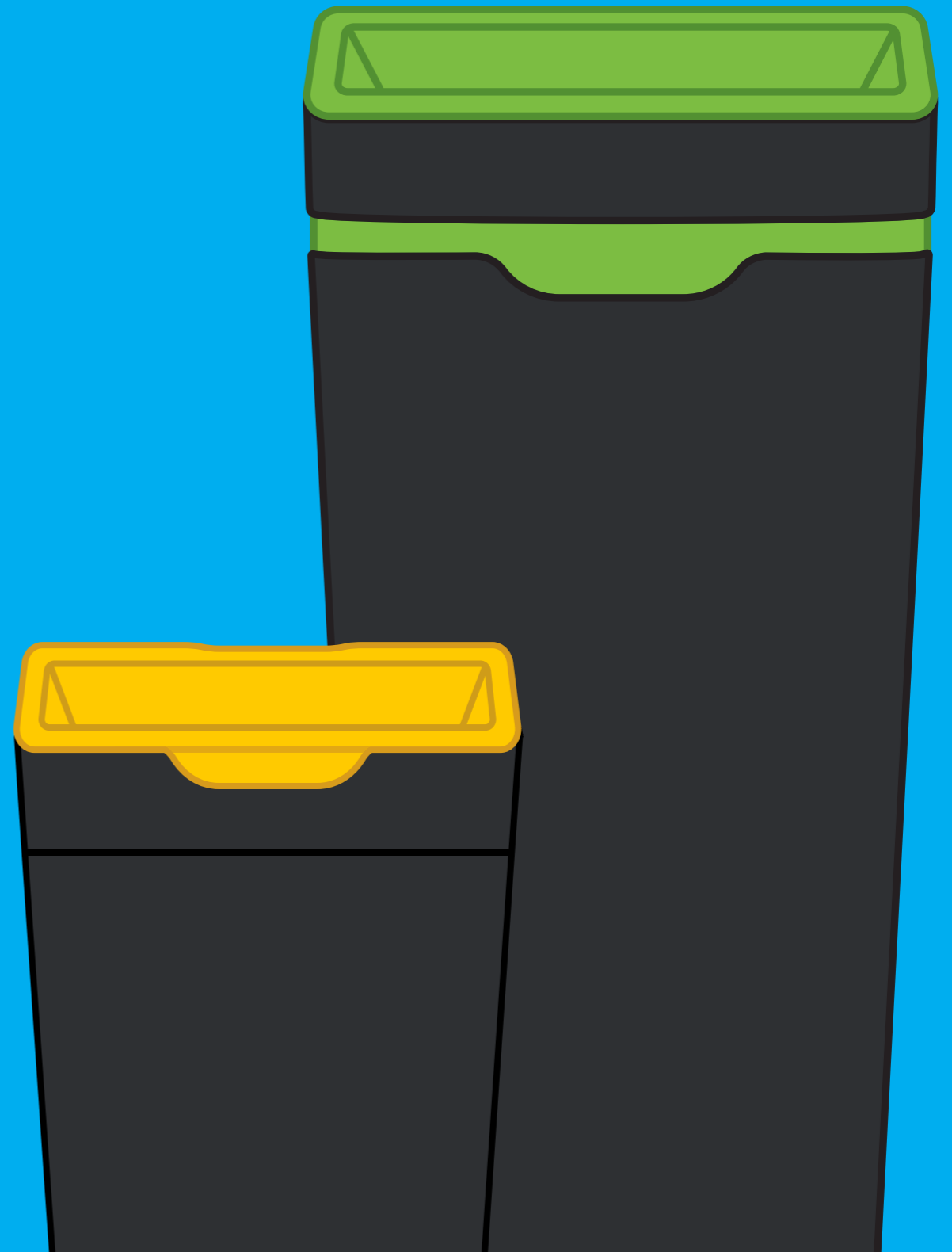


method

# Recycling for every space

Award-winning design and proven results in modern spaces





# Recycling and waste redesigned

Method began when co-founders Steven and India Korner continuously saw organisations that wanted to recycle without the tools to be successful. They spent 3 years researching and designing Method's award-winning bins.

The Sixty and Twenty litre bins are designed to be placed together to form flexible recycling stations. The Sixties are for large open plan spaces, and the Twenties for smaller shared spaces such a meeting rooms. The consistent bins across a building help to make recycling and unconscious habit so that you recycle more, and waste less - beautifully.



Method's beautiful bins allow the sometimes daunting task of having four waste and recycling options to be manageable and scalable across our ever-expanding offices.

Shamal Singh  
Global Office Architect.



# The Method system

Designed for the modern workspace, Method's philosophy of Open Plan Recycling brings beautiful bins out into the open plan design of modern spaces. To help organisations to recycle more and waste less.

## OUT IN THE OPEN

A visible statement of your commitment to recycling. Build awareness and create a collective culture

## METHOD TWENTY

20L Method bins form stations to capture waste in smaller spaces

## CLEAR AND CONSISTENT

Bins placed where recyclables are produced to make recycling simple and effective

## PRECYCLERS

Desktop waste storage that encourages separation at the desk while reducing cleaning time and costs

## METHOD SIXTY

60L Method bins form beautiful recycling stations for open plan spaces





## Our bins

### Method Sixty

---

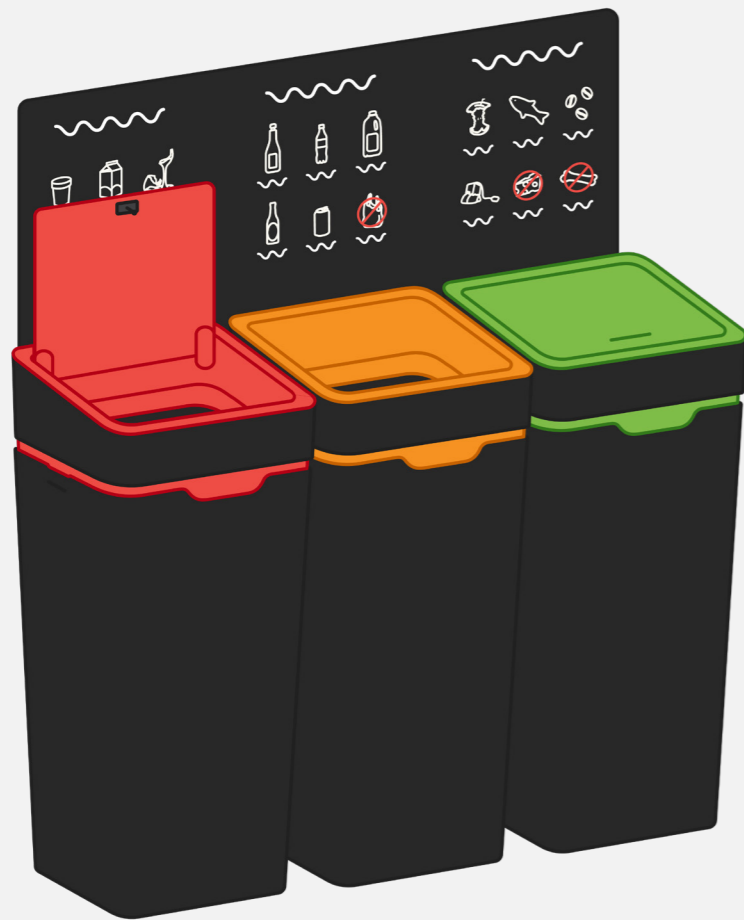
For open plan spaces such as the office floor, kitchens, venues and foyers.

### Method Twenty

---

For sharing in smaller spaces such as meeting rooms, studios and kitchenettes.

# Flexible recycling stations



Many of our 60L bins are available in open or closed (touch) lid bins, the open lid bins are best for high traffic areas that are being emptied daily. While touch lid bins are encouraged for bins that are likely to produce odours or attract fruit flies, like organics or landfill.

Method's bins make it easy for an organisation to introduce the streams they need and move them around their space to maximise their impact.

Not sure what streams you need?

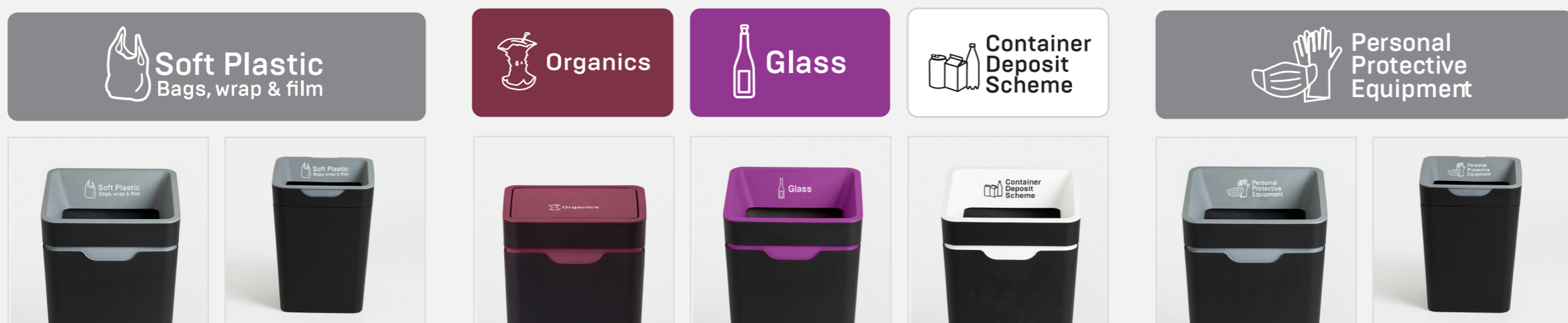
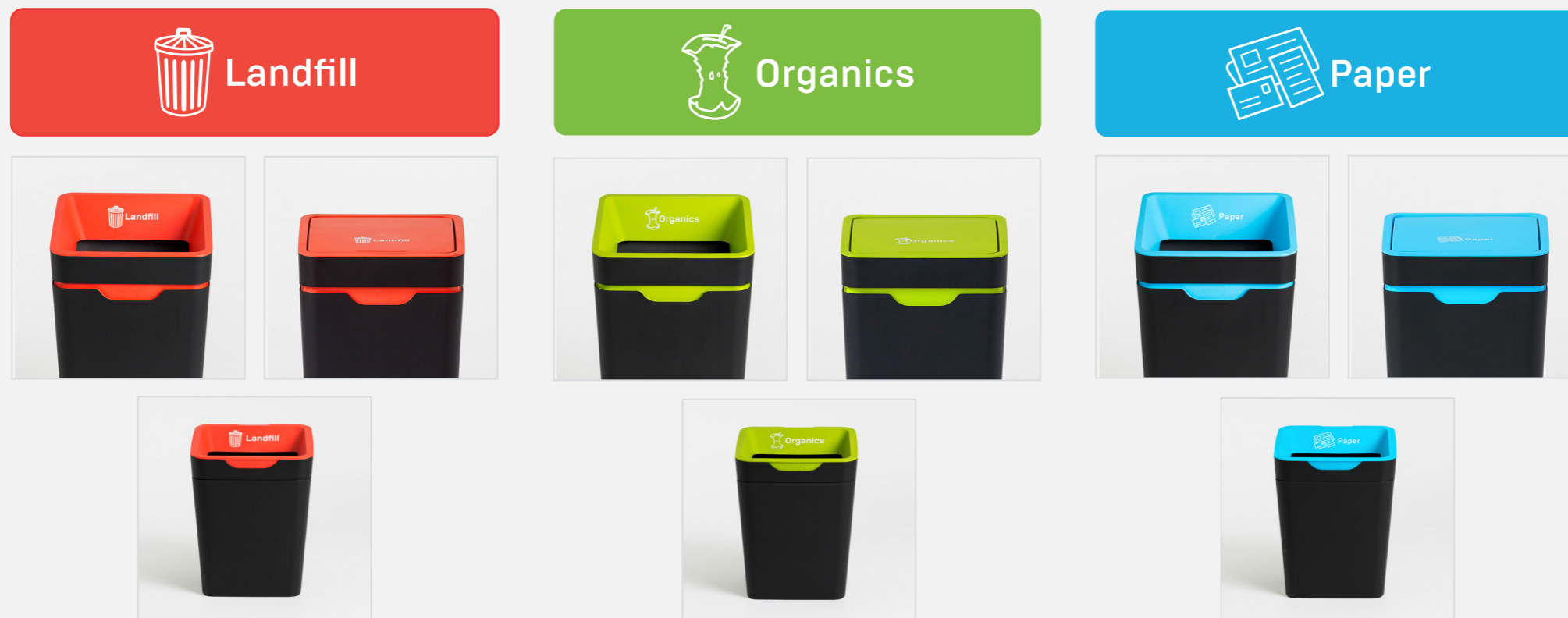
Use our [Solutions Finder](#) that can tell you the standard requirements in your area here. Or speak with your waste management provider.

Need something you can't see?

We can create custom streams to meet your needs, just talk to your Method representative.

# Australian Recycling Streams

Below is the standard streams we have available here in Australia to match your council or waste management provider's requirements. We encourage you to check with your waste management provider or one of our knowledgeable team before ordering to ensure you have the right product mix.



# Our accessories

## Method Signage

Education and awareness are two of the best tools for change, so consider adding custom signage to your bins to increase understanding for users.

A large public shopping centre saw the following contamination statistics:

No Signs - 60% Contamination  
Front Labels - 40% Contamination  
Vertical Sign - 15% Contamination



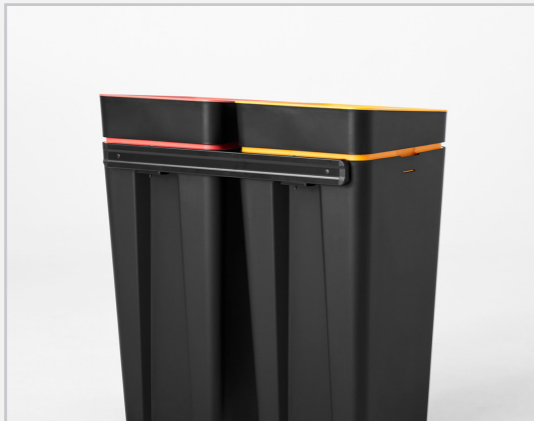


## Our accessories

### Method Connectors

Lock your Method Sixty recycling stations into place, side-by-side, back-to-back or to a wall. Particularly useful in large facilities and high traffic areas.

Available in 2 or 3 bin connectors or use an expansion kit for larger stations.







## Our accessories

# Method Precyclers

Method's desktop Precyclers are the perfect tool to help an organisation that is moving away from desk bins.

They sit on a desk to capture paper, recyclables and waste while encouraging separation. That can then be emptied to the nearest recycling station.





## Our accessories

### Method Liners

Perfectly sized to fit Method bins.

Method Sixty liners are available in green compostable and clear or black plastic.

Method Twenty liners are currently only available in the green compostable. Compostable liners are certified to break down in a commercial composting facility.



## Customer Hero

# Australian National Maritime Museum

The Australian National Maritime Museum, based in Darling Harbour, is Australia's national centre for maritime collections, exhibitions, research and archaeology. They're the leader in the preservation, promotion and storytelling of Australia's maritime heritage – they are Australia's museum of the sea. Welcoming over 850,000 visitors annually they share Australia's maritime stories with millions of people across Australia and overseas including families, interstate visitors and international tourists.

They knew that they needed a solution to their waste woes, and started their journey by engaging with APC Waste Consulting to complete a waste audit of their facility. Adrian, Security Manager, at the Museum found that

**“The time spent by the consultants auditing our waste and advising on an appropriate plan for our waste made our lives easier and ensured that we introduced the streams that were most relevant to our organisation.”**

They had seen the Method bins at another site and they were drawn to the look of them. After arranging a meeting with Dan, a member of our Aussie team, Adrian saw that Method was passionate about more than just their bins, but waste reduction and being sustainable.

Being a transient location with the general public visiting, education was incredibly important. So they knew that signage for the back and front of bins would be crucial to help visitors separate their waste accurately to maximise recycling rates and reduce contamination.

## Results

The Museum had set themselves up for success and have seen the results already. Implementing the new system mid-January below you can see the last full month of the old system, December 2019 and the first full month with the new system February 2019. In February, they were tantalisingly close to their 80% diversion rate, achieving 76.86%.

While COVID has impacted the number of visitors, and therefore waste they're producing, you can still see a strong trend in diversion rates below, averaging at 63% of waste being diverted from landfill.



“

**Method went above and beyond what anyone would expect from a company that sells bins and it was this passion that made the decision for the museum. It was clear that there was a strong alignment in values between the two organisations**

Adrian Snelling  
Australian National Maritime Museum.



# More of our customers



# Foster + Partners



# Method Sixty bin specifications

## Product Specifications

350mm x 350mm x 755mm

60L Capacity

Made from Polypropylene

50% recycled materials + fully recyclable

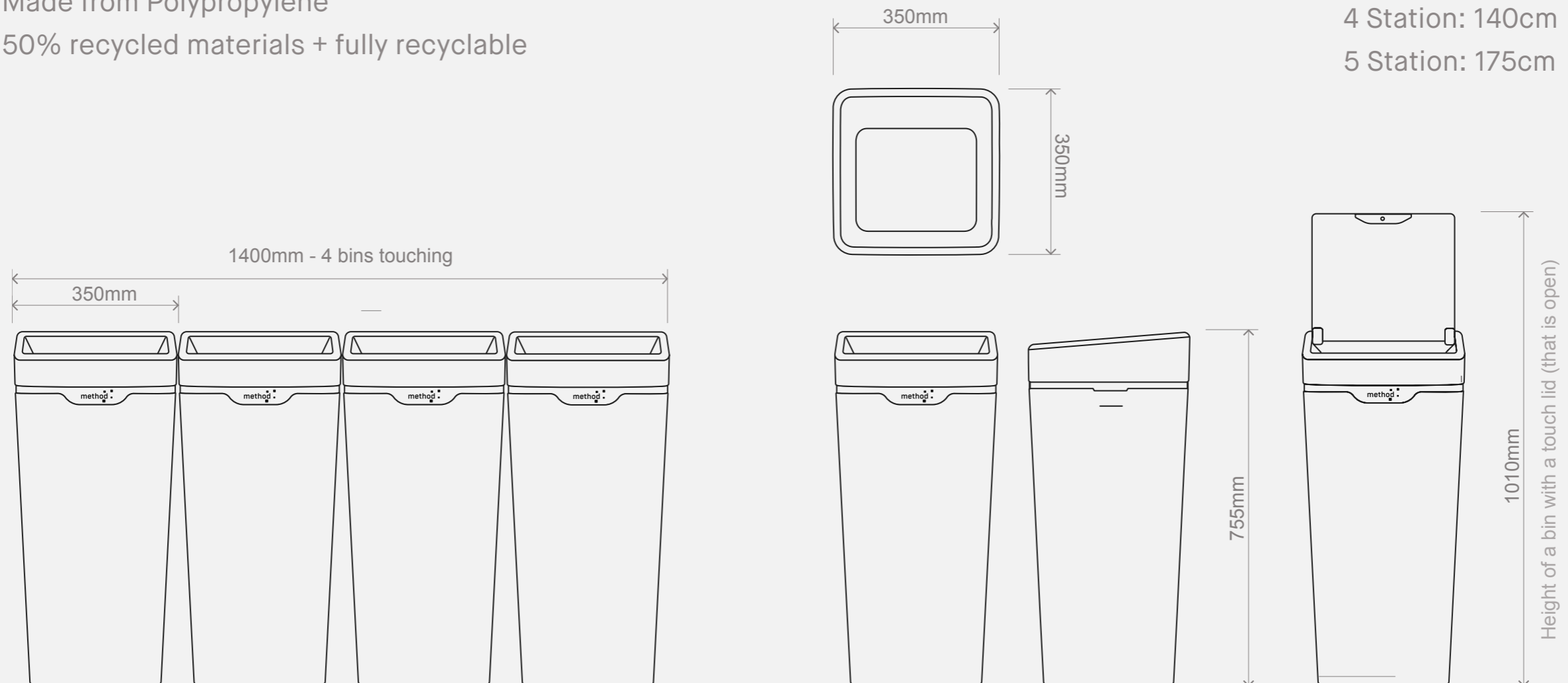
## Station Width (No Connector)

2 Station: 70cm

3 Station: 105cm

4 Station: 140cm

5 Station: 175cm



# Method Sixty station specifications

## Product Specifications

350mm x 350mm x 755mm

60L Capacity

Made from Polypropylene

50% recycled materials + fully recyclable

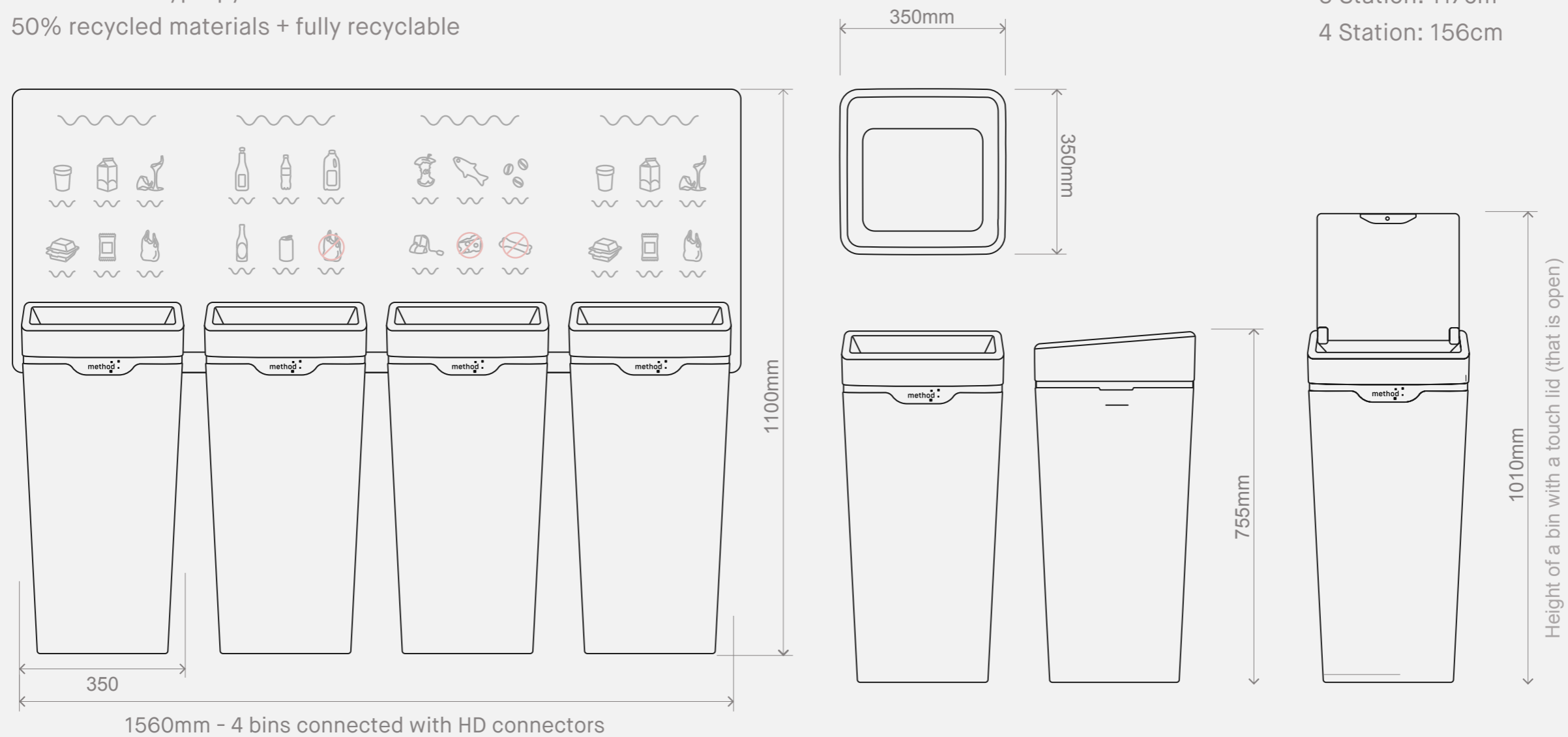
## Station Width (With Signage)

1 Station: 39cm

2 Station: 78cm

3 Station: 117cm

4 Station: 156cm



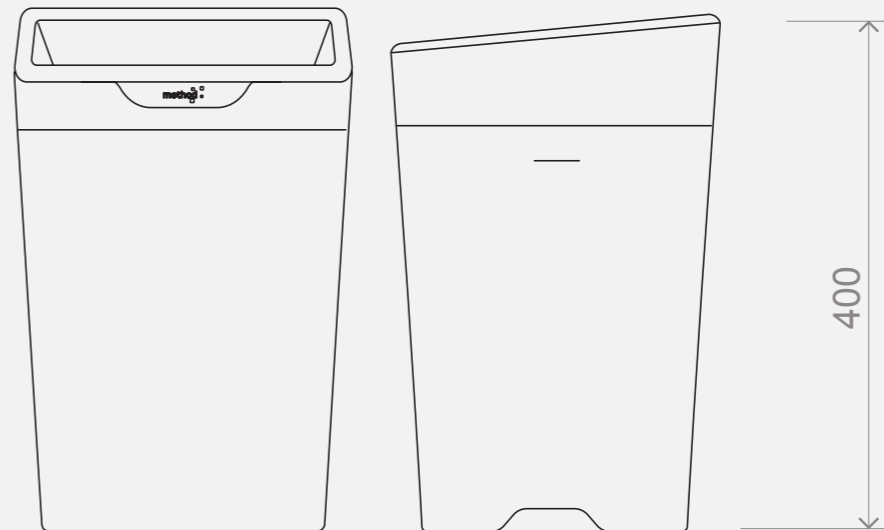
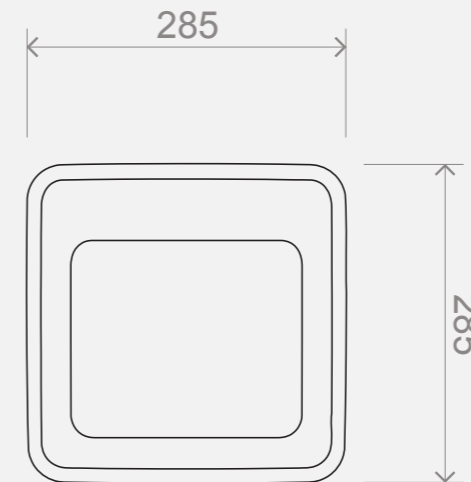
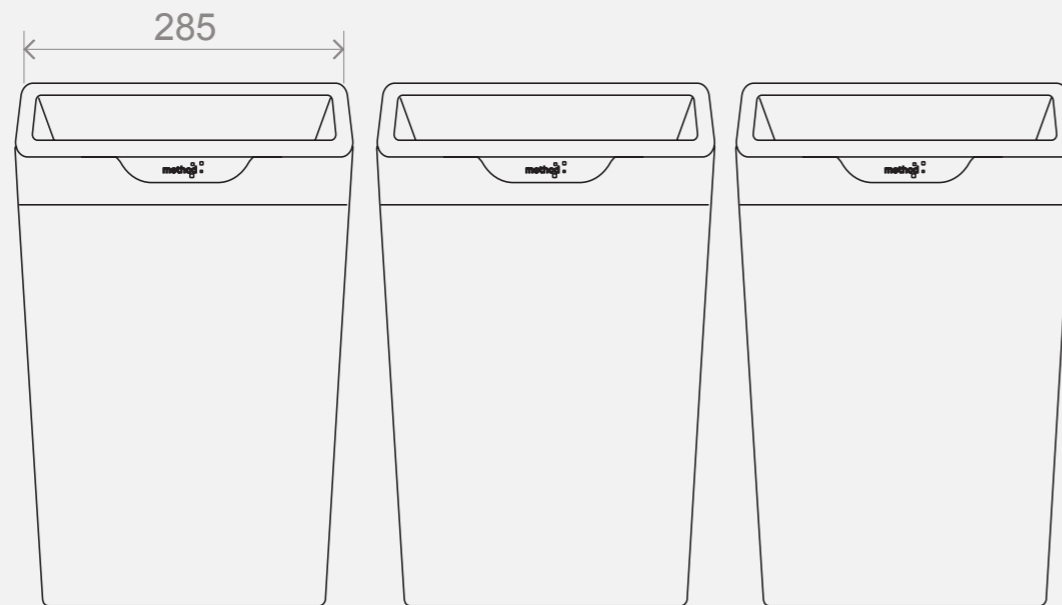
# Method Twenty bin specifications

285 x 285 x 400mm

20L Capacity

Made from Polypropylene

80% recycled materials + fully recyclable



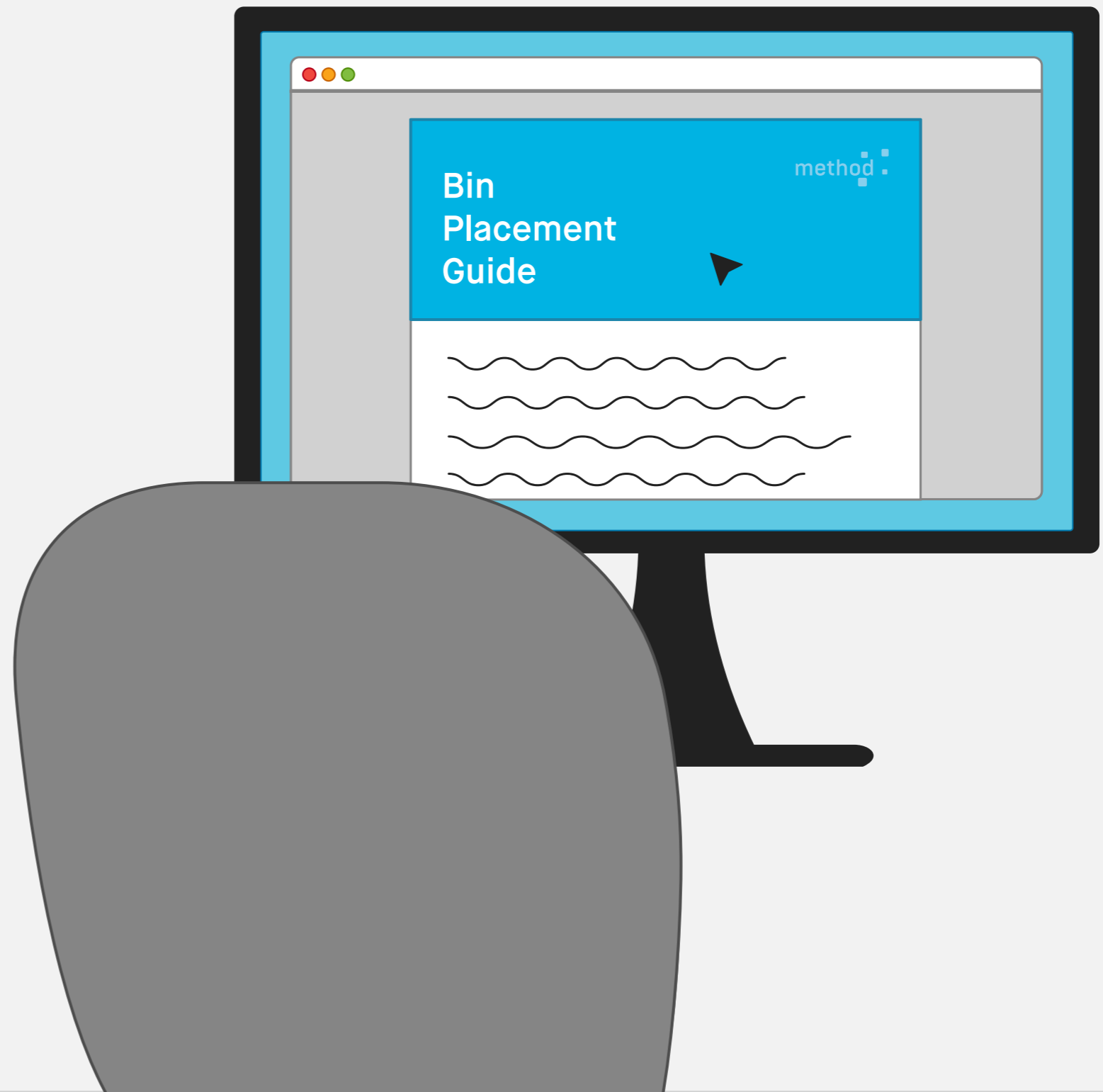
# Resources

Method has an extensive resource library to ensure you get the most out of the Method system.

Full of practical guides, advice and tools to help you throughout your journey.

Some helpful resources you can find on our website are:

- [The Successful Recycling Guide](#)
- [DIY Waste Audit](#)
- [Bin Placement Guide](#)
- [Internal Communications Sheet](#)
- [Cleaning + Service Instructions](#)







Landfill

Recycling  
Mixed

Paper



# Find out more

Everything you need to succeed is online.  
Check out our guides, resources, and videos  
at [methodrecycling.com](https://methodrecycling.com).

