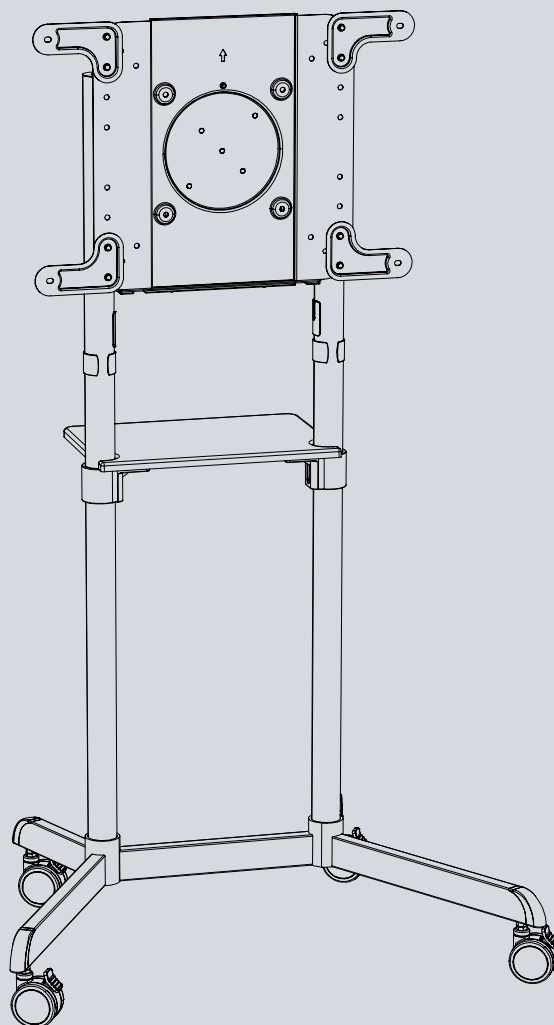




# Executive Mobile Cart Specification Sheet.

---





A mobile cart for dynamic collaborative sessions, delivering a seamless interactive presentation experience.

A high-quality, discreet digital mounting solution that allows for collaborative flexibility within your workspace.

The Executive mobile cart has considered display rotation and tilt support, ensuring an ergonomic ease to touch screen interactions.

Lockable heavy-duty castors allow easy movement so you can arrange your workspace comfortably.

---

# Product specifications.

---

An Aspect product.  
Designed by Atdec.

---

**Finishes** White

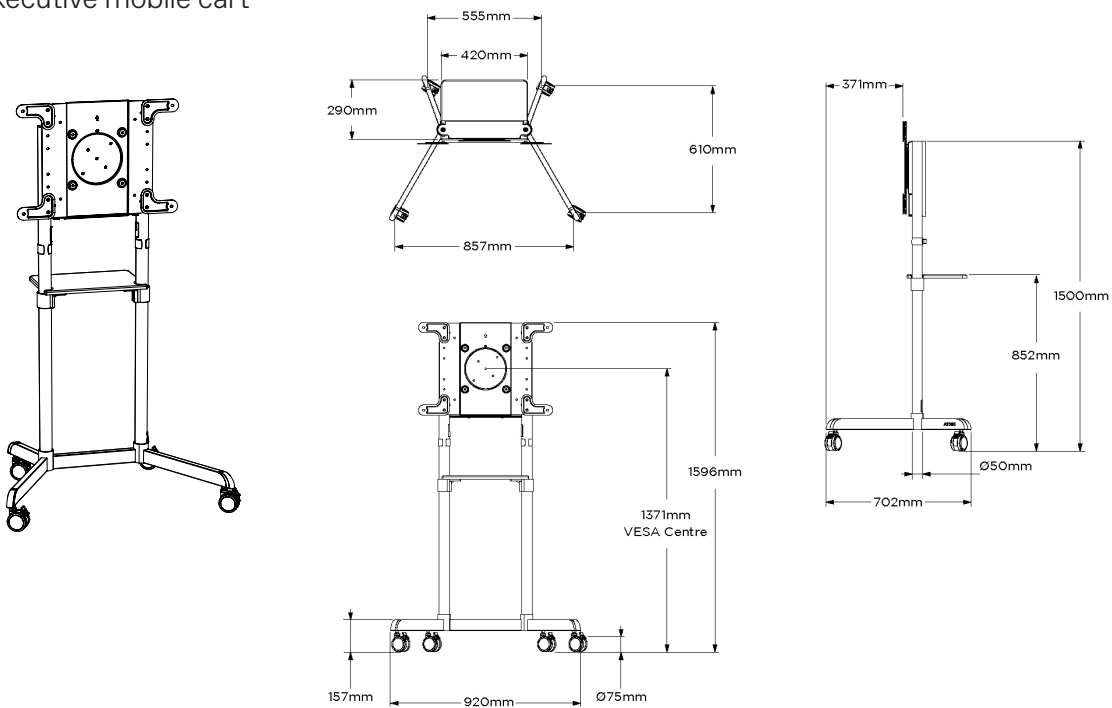
**Materials** Steel

**Warranty** 10 Years

**Lead time** In stock (Check availability)

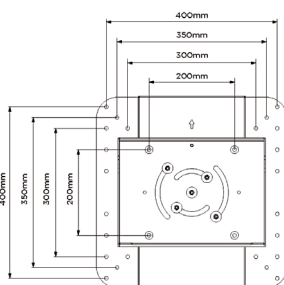
# Product specifications.

## Executive mobile cart

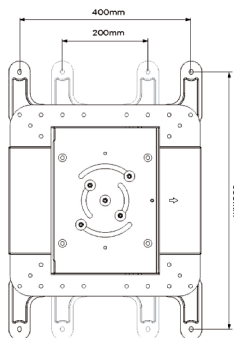


## VESA display mounting

Mounting plate

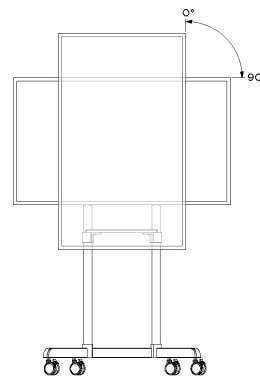


Mounting plate with extension arms

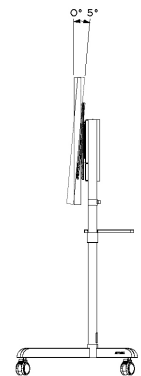


## Movement

+/- 90° portrait / landscape rotation

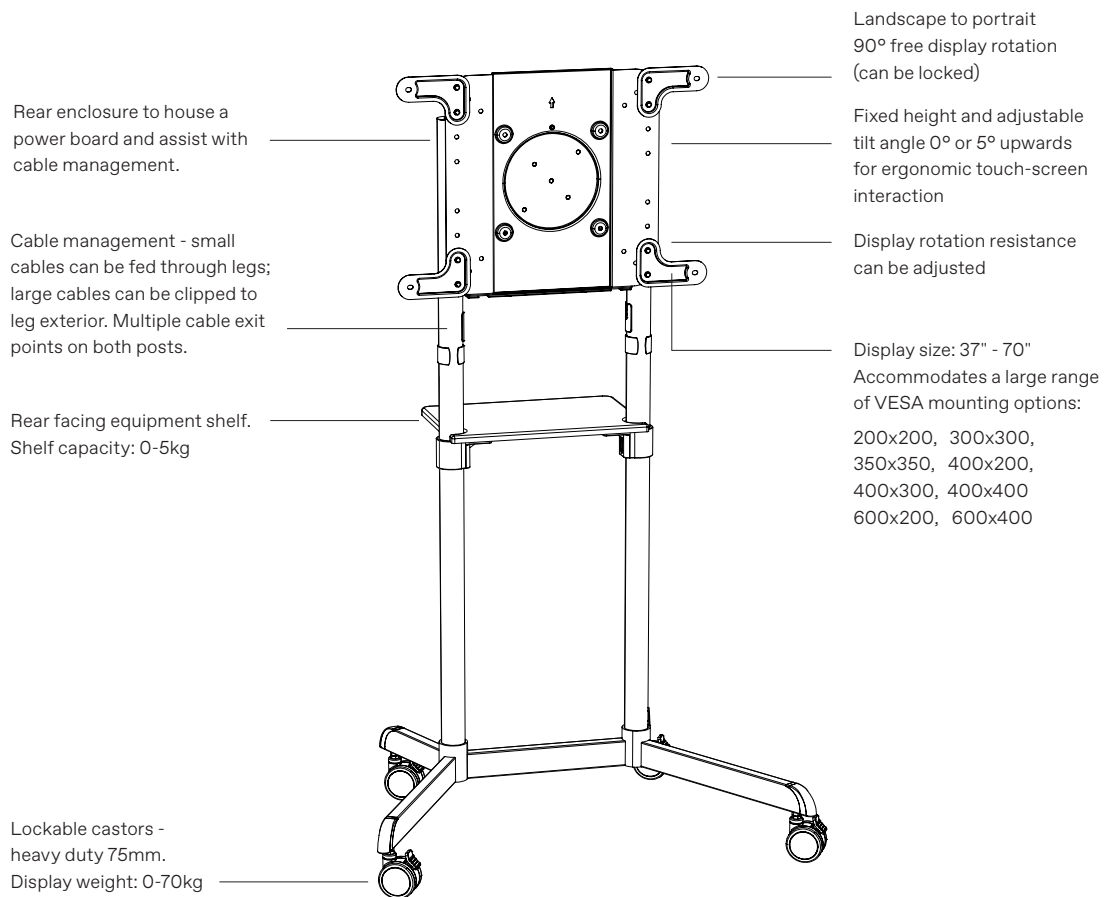


0° or 5° set tilt position



# Product features.

## Executive mobile cart



Note: Curved monitors, deep devices (such as all-in-one PCs), VESA mounted accessories (such as mini PC brackets and mounts), and offset VESA locations exert additional leverage that can exceed the capacity of the mount even though the monitor weight may be within the stated range. Please contact us if you would like further information.



We are creative problem solvers that champion original thinking. We love sharing ideas, taking something and making it better together.

Please get in touch with us, we'd love to discuss your project.

**New Zealand**  
0800 323 220  
[info@aspectfurniture.com](mailto:info@aspectfurniture.com)

**Australia**  
1800 696 334  
[infoau@aspectfurniture.com](mailto:infoau@aspectfurniture.com)

[aspectfurniture.com](http://aspectfurniture.com)