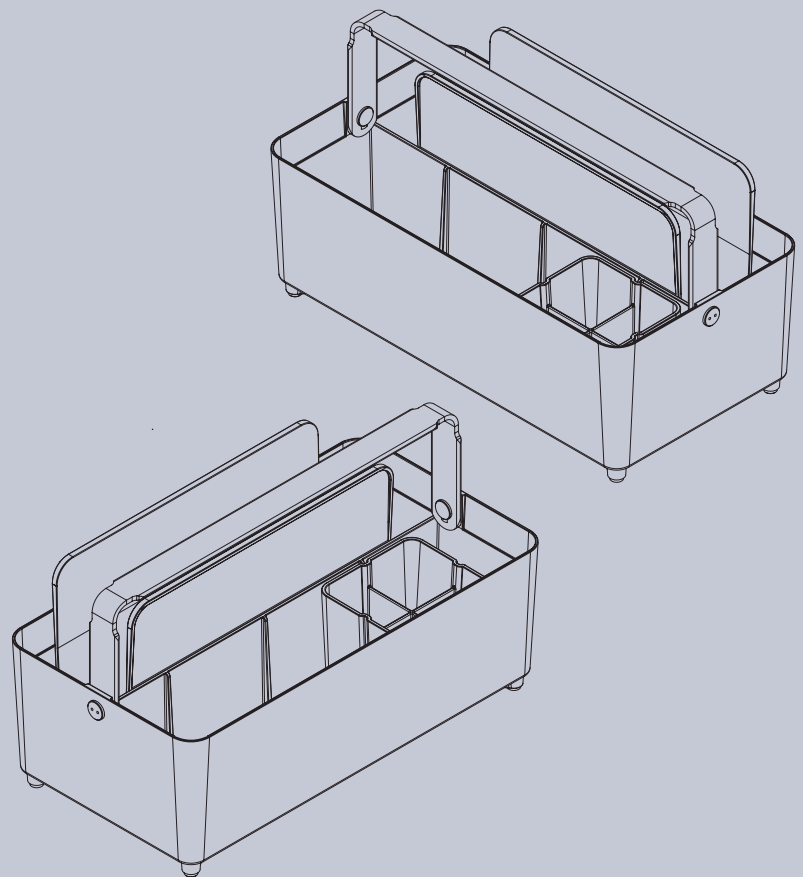

aspect 

WorkTote
Specification
Sheet.





The WorkTote is a handy storage accessory designed for agile or activity based working spaces.

The unit is constructed from injected moulded recyclable plastic and is stocked in a range of five colours.

This design includes a slimline, foldable aluminum handle that locks in place to assist in carrying heavy items such as laptops. One half of the WorkTote has removable dividers for personal items and stationery, while the other has space for files and tablets.

WorkTote features allow transport of office essentials from the locker to other work spaces with total ease.



Additional accessories are available to optimize office essentials storage and accessibility. The specially designed swivel clamp works with any worktop including a 'sharknose' or 'tapered' style and can be located anywhere along the desk edge.

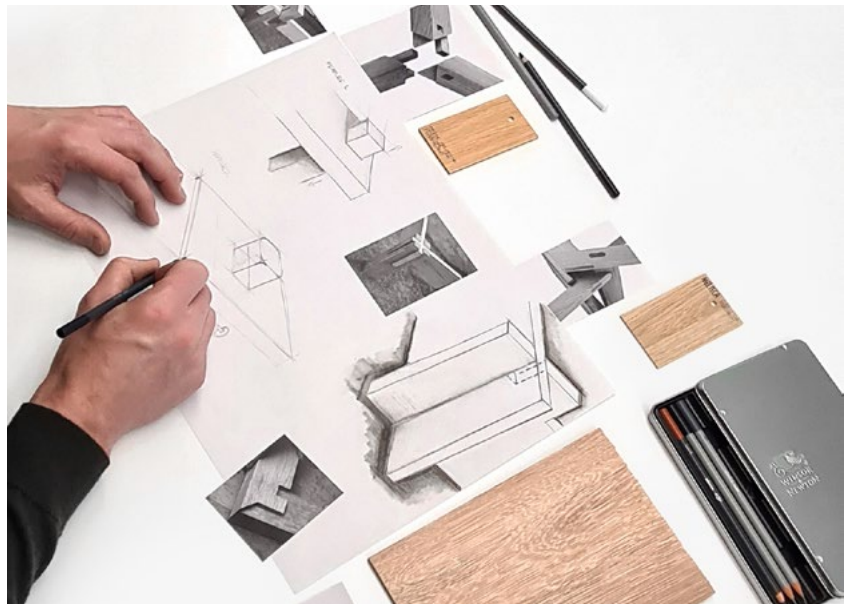
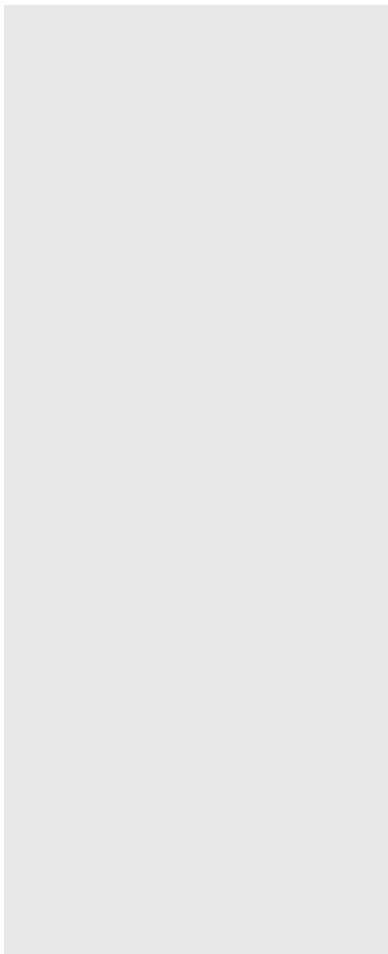
The paper taco can be used to assist with documents and device storage, and can be used separately in lockers or on desktops.



Aspect Design.

Through our technical knowledge and years of experience, we design and manufacture objects that feel functional, timeless and harmonious. Our focus on crafted, fully-resolved commercial furniture means Aspect collections are trusted by some of the largest public and private organisations around Australasia.

With 40 years' experience designing and manufacturing collections for the modern workplace, our office furniture has a reputation for being robust, ergonomic and comfortable throughout the working day.



Product specifications.

An Aspect product.
Designed in New Zealand by Aspect Design.
Made in New Zealand.

Colours



Lemongrass



Seafoam



Watermelon



Nimbus



Charcoal

Customised colours are available for production runs of 1000 units and above.

Accessories

Pen bucket
Paper taco
WorkTote Swivel

Warranty

10 years for normal commercial use

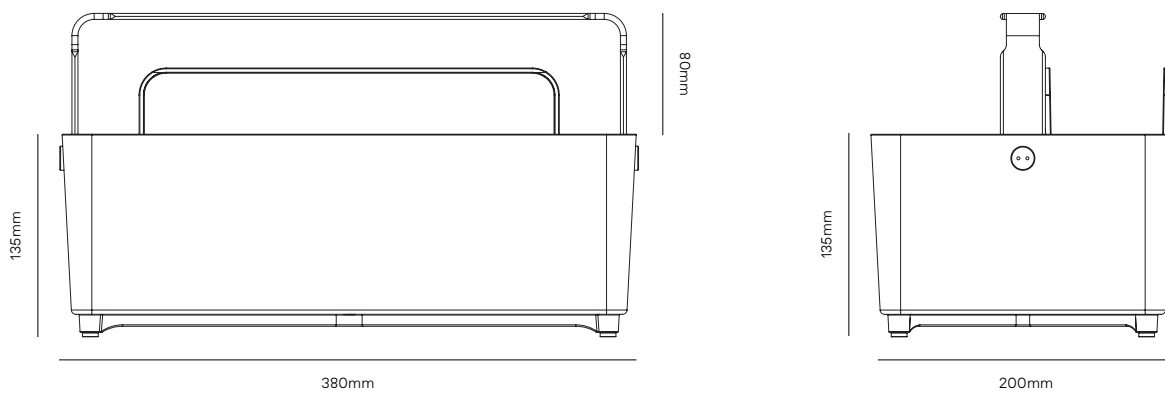
Certifications



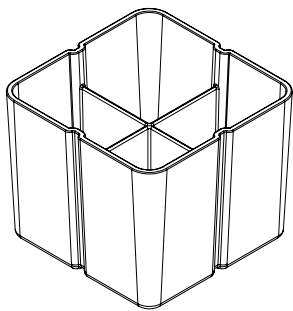
Furniture, Fittings
and Flooring
Licence Number
3210076

Product specifications.

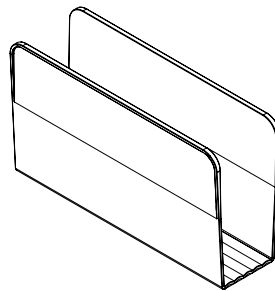
WorkTote.



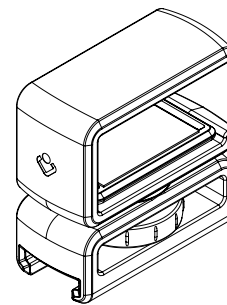
WorkTote accessories.



Pen bucket
Complementary accessory



Paper taco
Optional add-on accessory



WorkTote swivel
Optional add-on accessory



We are creative problem solvers that champion original thinking. We love sharing ideas, taking something and making it better together.

Please get in touch with us, we'd love to discuss your project.

New Zealand
0800 323 220
info@aspectfurniture.com

Australia
1800 696 334
infoau@aspectfurniture.com

aspectfurniture.com